



# NEW HOLLAND

**EUROPEAN  
PLANT SERVICES**

## LM732



| PERFORMANCE                                      |    | LM732 |
|--|----|-------|
| Maximum lift capacity (at 600 mm from fork heel) | kg | 3200  |
| Maximum lift height                              | m  | 7.13  |
| Lift capacity at maximum reach                   | kg | 900   |
| Lift capacity at maximum lift height             | kg | 2000  |
| Reach fully raised                               | m  | 0.94  |
| Maximum forward reach                            | m  | 4.10  |
| Height with max load (3200 kg)                   | m  | 5.90  |
| Operating weight                                 | kg | 7200  |

| ENGINE                         |                   |
|--------------------------------|-------------------|
| Make <b>CNH</b> and model      | 4TAA              |
| Type                           | Turbo/Aftercooler |
| Total displacement             | ltr 4.5           |
| Net flywheel power (ISO 14396) | kW/hp 74/99       |
| Max torque                     | Nm 430@1250 rpm   |

| TRANSMISSION           |            |
|------------------------|------------|
| Type                   | PowerShift |
| Forward/Reverse speeds | 4/3        |
| Max speed on road**    | Km/h 40    |

\*\* Max. speed limited according to the country's legislations

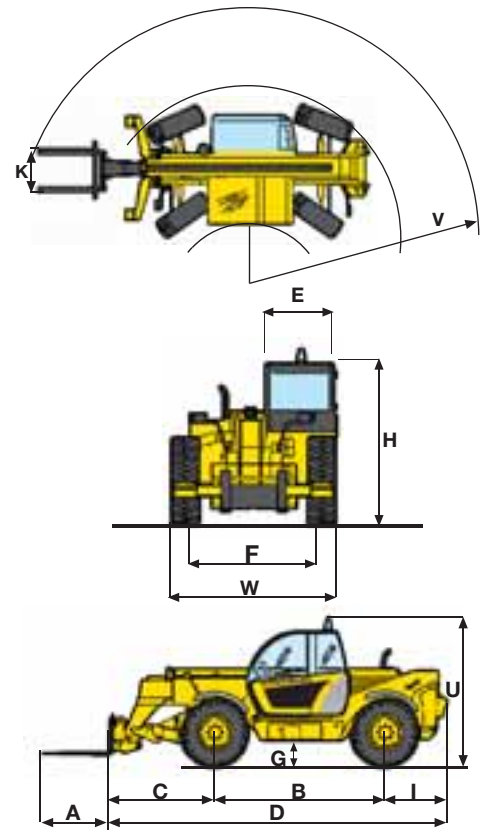
| HYDRAULIC SYSTEM      |              |
|-----------------------|--------------|
| Type                  | Load Sensing |
| Hydraulic controls    | Servo        |
| Simultaneous movement | yes          |
| Hydraulic pump        | gear         |
| Hydraulic flow        | l/min 130    |
| Hydraulic pressure    | bar 240      |

| CAPACITIES     |         |
|----------------|---------|
| Fuel tank      | ltr 143 |
| Hydraulic tank | ltr 110 |

| TYRES     |          |
|-----------|----------|
| 405/70x24 | MITAS    |
| 400/80x24 | DUNLOP   |
| 15.5R25   | MICHELIN |

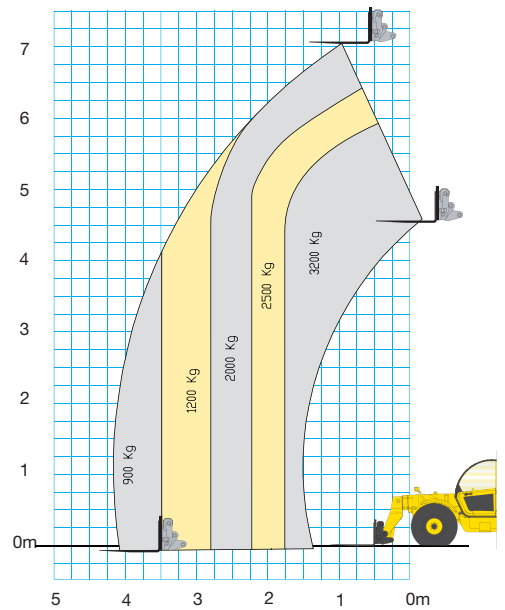


**BUILT AROUND YOU**



**LM732 TURBO**

| DIMENSIONS           | A    | B    | C    | D    | E    | F    | G   |
|----------------------|------|------|------|------|------|------|-----|
| With MITAS 405/70x24 | 1200 | 3010 | 1365 | 5125 | 1000 | 1875 | 420 |
|                      | H    | I    | K    | U    | V    | W    |     |
|                      | 2400 | 750  | 1260 | 2470 | 3400 | 2340 |     |



# EUROPEAN PLANT SERVICES

8 Carr Crofts Drive  
Armley  
Leeds  
West Yorkshire  
United Kingdom  
LS12 3AL

**Tel: +44 (0)113 2046919**

**[www.europeanplantservices.com](http://www.europeanplantservices.com)**

The information contained in this brochure is intended to be a general nature only. The NEW HOLLAND KOBELCO CONSTRUCTION MACHINERY S.p.A. company may at any time and from time to time, for technical or other necessary reasons, modify any of the details or specifications of the product described in this brochure. Illustrations do not necessarily show products in standard conditions. The dimensions, weights and capacities shown herein, as well as any conversion data used, are approximate only and are subject to variations within normal manufacturing techniques.

Published by NEW HOLLAND KOBELCO CONSTRUCTION MACHINERY S.p.A.  
Printed in Italy - LEADER Firenze - Cod. 73301 411GB - Printed 07/08

Printed on recycled paper  
CoC-FSC 000010 CQ Mixed sources



[www.newholland.com](http://www.newholland.com)